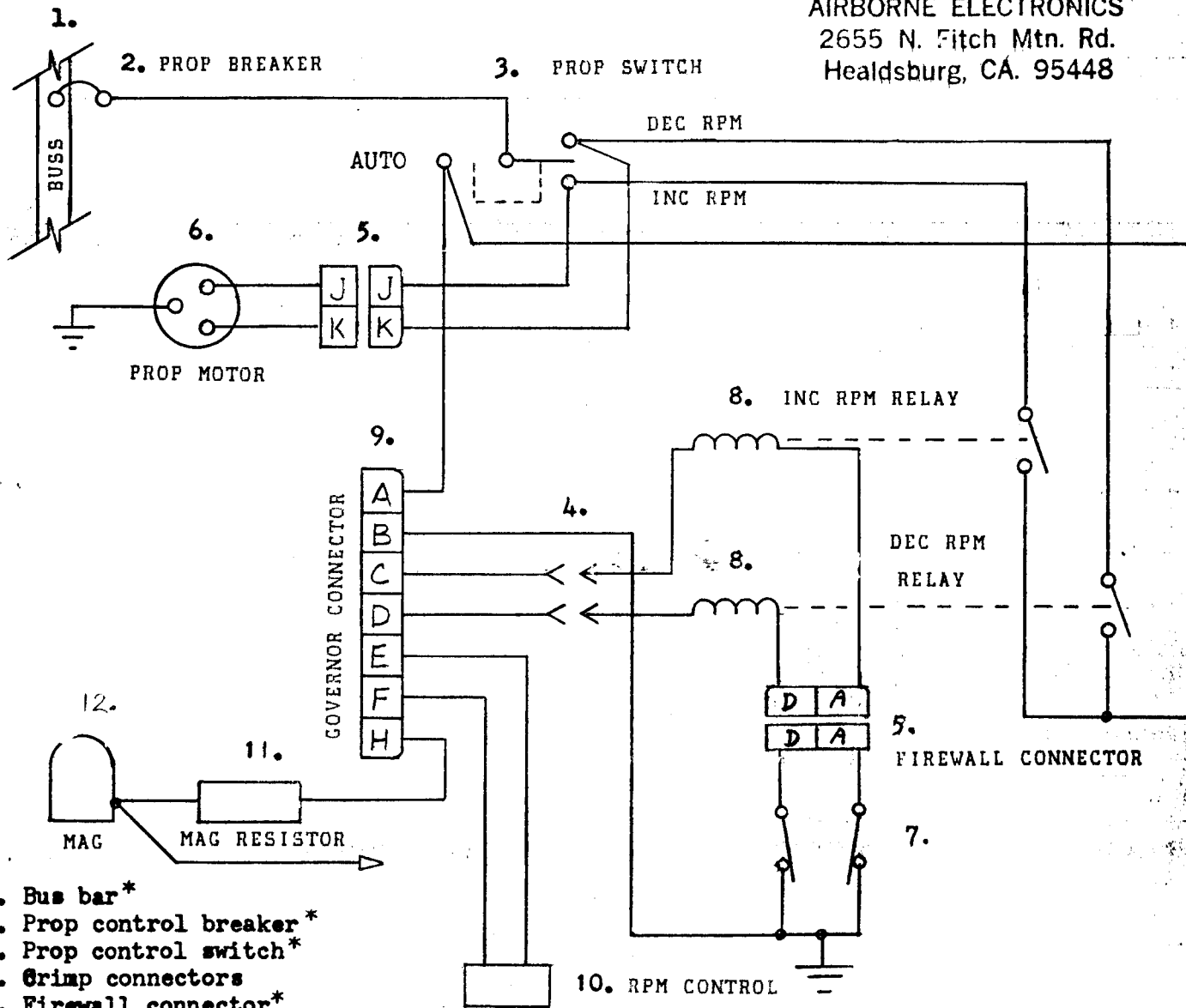


QTY	PRODUCT	NEXT ASSY DWG	NO.	DESCRIPTION OF CHANGE	SCO	DATE	BY
			1	ADDED FIREWALL CONNECTOR		11-3-73	R.S.K.
			2	ADDED PARTS REFERENCE.		5-18-73	R.S.K.
			A	ADD AIRCRAFT EFFECTIVITY.		3-17-76	RCK

FIGURE A

AIRBORNE ELECTRONICS
2655 N. Fitch Mtn. Rd.
Healdsburg, CA. 95448



- 1. Bus bar*
- 2. Prop control breaker*
- 3. Prop control switch*
- 4. Crimp connectors
- 5. Firewall connector*
- 6. Prop control motor*
- 7. Limit switches*
- 8. Relays*
- 9. SSAP cable connector
- 10. Panel control

11. Isolating resistor
12. Magneto*
* Existing parts, not supplied with Model 350A installation kit. Refer to 0350-0505 for supplied parts description.

ITEM	QTY	PART NUMBER	DESCRIPTION
TOLERANCES UNLESS OTHERWISE SPECIFIED			
FRACTIONS ± 1/64		DECIMALS ± .005	ANGLES ± 1°
DO NOT SCALE DRAWING			
DRAWN	R.S.K.	7-20-72	SCALE ~
CHKD.	RCK	3-17-76	PRODN. CHKD. RCK 3-17-76
ENG. APPD.	RCK	3-17-76	PRODN. APPD. RCK 3-17-76
MAT'L.	~		
MAT'L. SPEC. NO.			

This Document is the Property of _____ and Shall Not Be Copied, Reproduced, Used in the Manufacture or Sale of Apparatus or Disclosed to Others Without Permission.

DIVISION: **AIRBORNE ELECTRONICS**

SSAP.C.

WIRING DIAGRAM

All models with APC previously installed

NO. **A 0350-0103** CHANGE