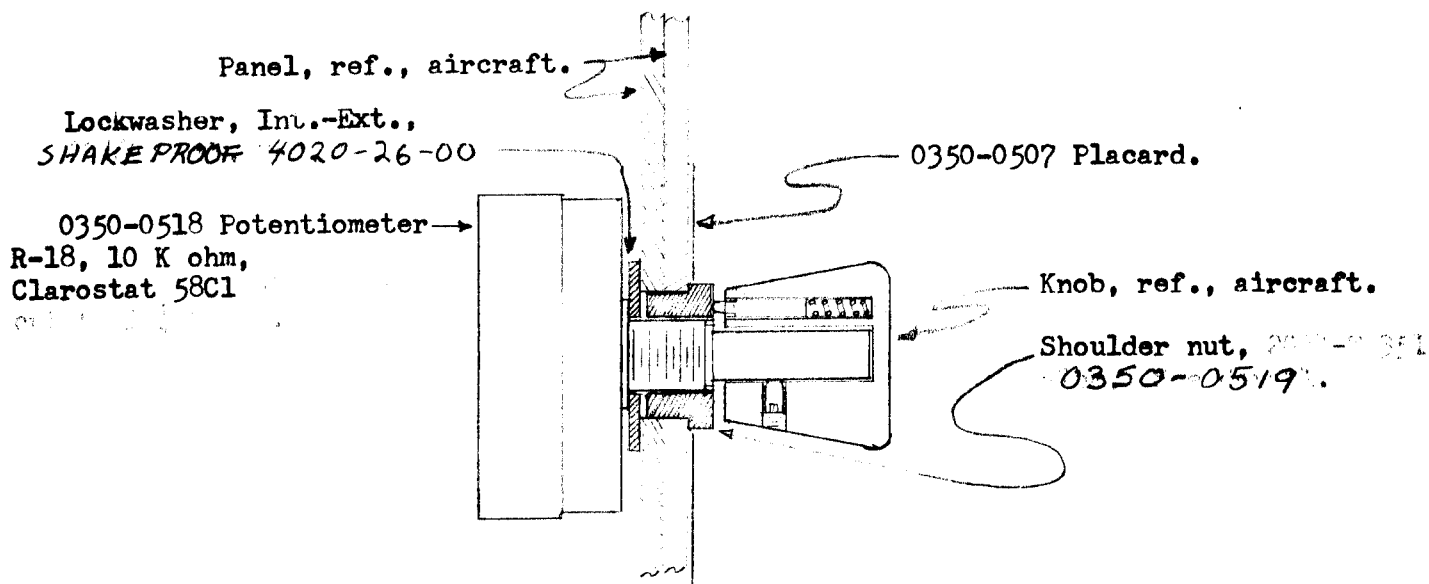


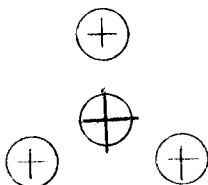
QTY	PRODUCT	NEXT ASSY DWG	NO.	DESCRIPTION OF CHANGE	SCO	DATE	BY
			1	ADDED MATERIAL LIST		4-7-73	RSK
			2	ADDED PLACARD (6)		5-18-73	RSK
			3	REMOVED FELT WASHER AND ADDED DETENT SLOT, CORRECT MAT LIST		7-22-74	RSK
			4	CORRECT ITEM 5		4-15-75	RSK
			A	REVISED BILL OF MATERIAL AND ADD AIRCRAFT EFFECTIVITY		3-17-76	RSK
			B	REMOVED SHOULDER NUT DETAIL RE VIEW PANEL CONTROL MOUNTING		4-27-76	RSK

FIGURE E

— INSTALLATION —



12 O'clock



Template for Locating
Three 1/4" Couterbores
Spaced 120° on 7/16 Radius

AIRBORNE ELECTRONICS
2655 N. Fitch Mtn. Rd.
Healdsburg, CA. 95448

ITEM	QTY	PART NUMBER	DESCRIPTION	
<p>TOLERANCES UNLESS OTHERWISE SPECIFIED</p> <p>FRACTIONS ± 1/64 DECIMALS ± .005 ANGLES ± 1°</p> <p>DO NOT SCALE DRAWING</p>			<p>This Document is the Property of AIRBORNE ELECTRONICS, and Shall Not Be Copied, Reproduced, Used in the Manufacture or Sale of Apparatus or Disclosed to Others Without Permission.</p> <p>DIVISION: AIRBORNE ELECTRONICS, INC.</p> <p>PANEL CONTROL MOUNTING</p>	
DRAWN	RSK	4-25-76		SCALE FULL
CHKD.	RSK	4-25-76		PRODN. CHKD. —
ENG. APPD.	RSK	4-25-76		PRODN. APPD. —
MAT'L.	—			
MAT'L. SPEC. NO.	—			
FINISH	—		BLK. —	
			NO. A 0350-0102 CHANGE - B	