

QTY	PRODUCT	NEXT ASSY DWG	NO.	DESCRIPTION OF CHANGE	SCO	DATE	BY
-	-	-	1	CHANGED MTG. OF CHASSIS UNIT		11-2-72	R.S.K.
-	-	-	2	CHANGED POS. OF ADAPTER PLATE		10-14-74	R.S.K.
-	-	-	A	ADD PART NUMBERS		3-17-76	RLK
-	-	-		AND EXTEND AIRCRAFT EFFECTIVITY			
			B	CHANGED ITEM 3 WAS 2-56, IS 4-40 ADDED BEECH NO'S.		4-27-76	RLK

### FIGURE F

AIRBORNE ELECTRONICS  
2655 N. Fitch Mtn. Rd.  
Healdsburg, CA. 95448

BEECH# 35-324069

CENTER INSTRUMENT  
PANEL CHANNELS (REF.)  
(AIRCRAFT ORIGINAL STRUCTURE)

BEECH # 35-324021  
SUPPORT- FWD  
PULLEY BRKT.  
(REF AIRCRAFT  
ORIGINAL  
STRUCTURE)

SPACER NUT, REF.  
3 1/2" LONG 3/8" DIA.  
#2024 ALUM.  
(AIRCRAFT ORIGINAL  
HARDWARE)

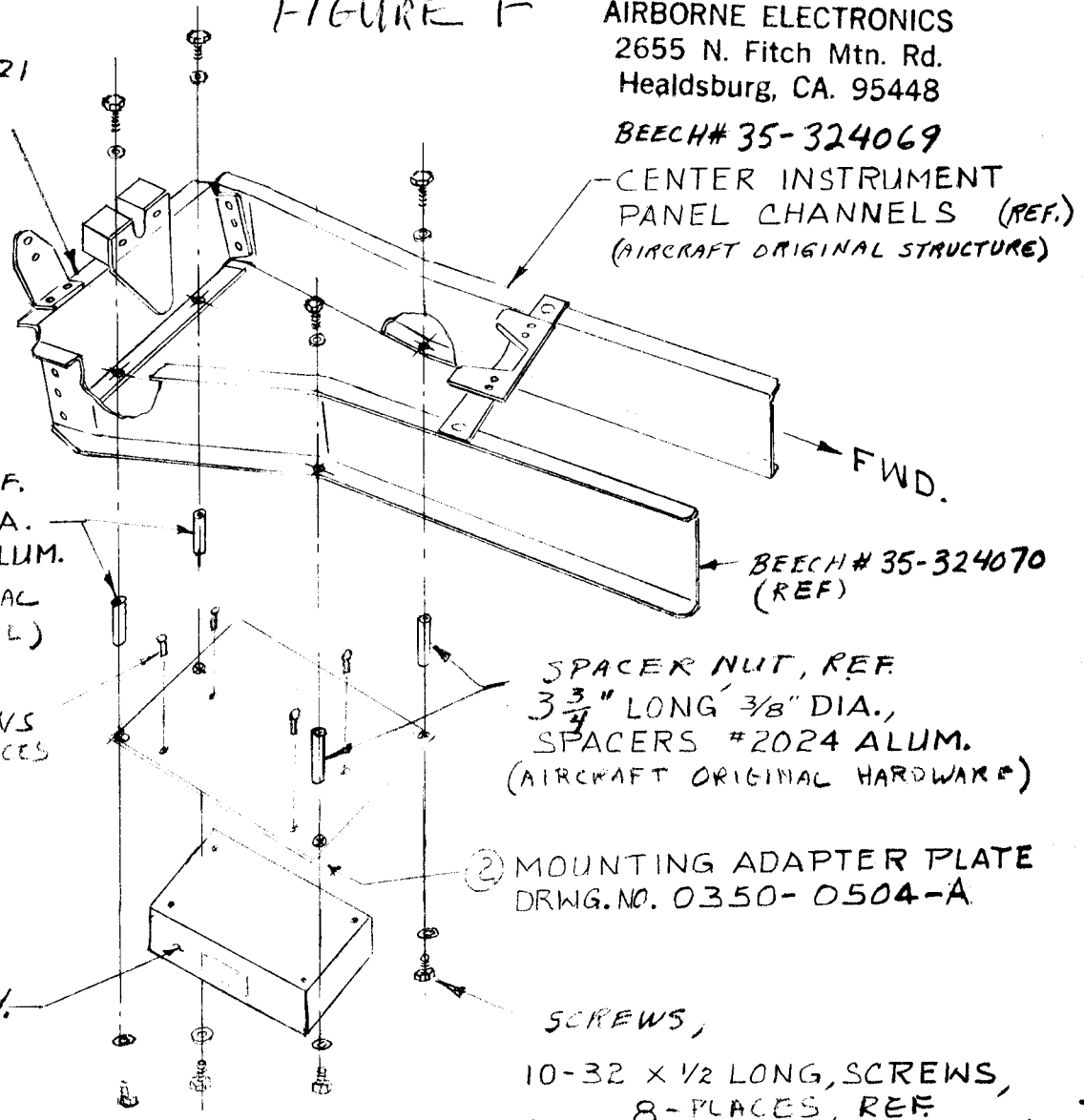
③ SCREWS  
4 PLACES

SPACER NUT, REF.  
3 3/4" LONG 3/8" DIA.,  
SPACERS #2024 ALUM.  
(AIRCRAFT ORIGINAL HARDWARE)

② MOUNTING ADAPTER PLATE  
DRWG. NO. 0350-0504-A

① PROP CONT. ASSY.

SCREWS,  
10-32 X 1/2 LONG, SCREWS,  
8-PLACES, REF  
(AIRCRAFT ORIGINAL HARDWARE)



ITEM	QTY	PART NUMBER	DESCRIPTION
3	4	SRM	SCREW 4-40 X 1/4 SLOT PAN, STL.
2	1	0350-0504	ADAPTER PLATE, MFG AIRBORNE ELEC
1	1	0350-0500	PROPELLER CONTROL ASSY, MFG. AIRBORNE ELEC.

TOLERANCES UNLESS OTHERWISE SPECIFIED			
FRACTIONS ± 1/64	DECIMALS ± .005	ANGLES ± 1°	
DO NOT SCALE DRAWING			
DRAWN	R.S.K.   6-22-72	SCALE	NONE
CHKD.	RLK   3-17-76	PRODN. CHKD.	RSK   3-17-76
ENG. APPD.	RLK   3-17-76	PRODN. APPD.	RSK   3-17-76
MAT'L.	~		
MAT'L. SPEC. NO.	~		
FINISH	BLK.		

This Document is the Property of \_\_\_\_\_ and Shall Not Be Copied, Reproduced, Used in the Manufacture or Sale of Apparatus or Disclosed to Others Without Permission.

DIVISION: AIRBORNE ELECTRONICS

SSAPC  
CHASSIS ASSEMBLY  
MOUNTING

NO. A0350-0101 CHANGE - 8